



Pacific Aluminum 3000 sliding doors can be used as conventional multi-sliding doors, by-passing wall doors, and pocket doors. All 3000 series sliders come with the following specifications as standard:

3000 series mall slider:

- 1) Completely assembled mechanically fastened leaf s
- 2) One pair of roller assemblies per "X" leaf, rated at 250lbs per roller
- 3) Either 1/4" or 1" glass stops
- 4) Adams Rite 1850 series maximum security lock, with key cylinder on exterior, and thumb-turn on interior
- 5) Manufacturers standard surface applied pulls, one per side of each "X" leaf (to be field installed)
- 6) Manufacturers standard 1/2" sill track, cut to length, but not assembled
- 7) Manufacturers standard 1 3/4" head track, cut to length , but not assembled
- 8) Manufacturers standard wall jamb, with one piece prepped for ms lock strike, cut to length, but not assembled
- 9) One mounting clip per "O" leaf (to be field installed)

3000 series pass-thru slider:

- 1) Completely assembled mechanically fastened leaf s
- 2) One pair of roller assemblies per "X" leaf, rated at 250lbs per roller
- 3) Either 1/4" or 1" glass stops
- 4) Adams Rite 1850 series maximum security lock, with no cylinder on exterior, and thumb-turn on interior
- 5) Manufacturers standard surface applied pulls, one only (to be field installed)
- 6) Manufacturers standard 1/2" sill track, cut to length, but not assembled
- 7) Manufacturers standard 1 3/4" head track, cut to length , but not assembled
- 8) Manufacturers standard wall jamb, with one piece prepped for ms lock strike, cut to length, but not assembled
- 9) One mounting clip per "O" leaf (to be field installed)

Options

All slider packages have the option of an Adams Rite 4195 mortised pull handle. Pocket doors are available with edge pulls.

Special applications

Not recommended for exterior use where door must be watertight. However, if being used on an exterior application it is highly recommended using subsill or flashing under the tracks. Multiple sliding panels, surface mounted or pocket doors, interior partitions and other special design applications can be furnished.

Rough openings

Rough opening dimensions are used as the net frame dimension, unless "PAC" is instructed otherwise.

Nomenclature

"X" designates an operable panel on wheels. "O" designates a fixed panel mounted to the track. "Inside" is to the top of the page. "Outside is to the bottom of the page. All call-outs are from left to right from the outside of the room or building.

Fasteners

All installation fasteners are the responsibility of the customer.

REV. 1.0



1. General Description.

Work included: The glazing contractor shall furnish all necessary labor, materials and equipment for the complete installation of aluminum sliding doors and/or pass-thru windows called for in the contract documents.

Drawings and Specifications are based on Pacific Aluminum Series 3000.

2. Materials.

Door members shall be extruded aluminum 6063-T5 alloy and temper. Major portions of the door stiles shall have .125 wall thickness and glazing beads .062 wall thickness. Screws, nuts, washers, bolts, rivets and other fasteners will be aluminum, stainless steel or other non-corrosive material. Glazing gaskets shall be E.P.D.M. extrusion.

3. Door Construction.

Door stiles and rails shall be tubular sections accurately joined at the corners with concealed shear blocks secured with bolts and screws. (Optional: "All corners shall be welded.") No exposed screws shall be permitted unless for hardware installation. All doors shall receive manufacturers standard weather stripping.

4. Glazing.

Door leaves shall be prepared to accept _____ (1" or 1/4") glazing using square snap in glazing beads. (select one)

5. Hardware.

Hardware for aluminum doors shall be Pacific Aluminum Company's standard maximum security hook bolt lock, flush pull handles and adjustable rollers.

6. Finish.

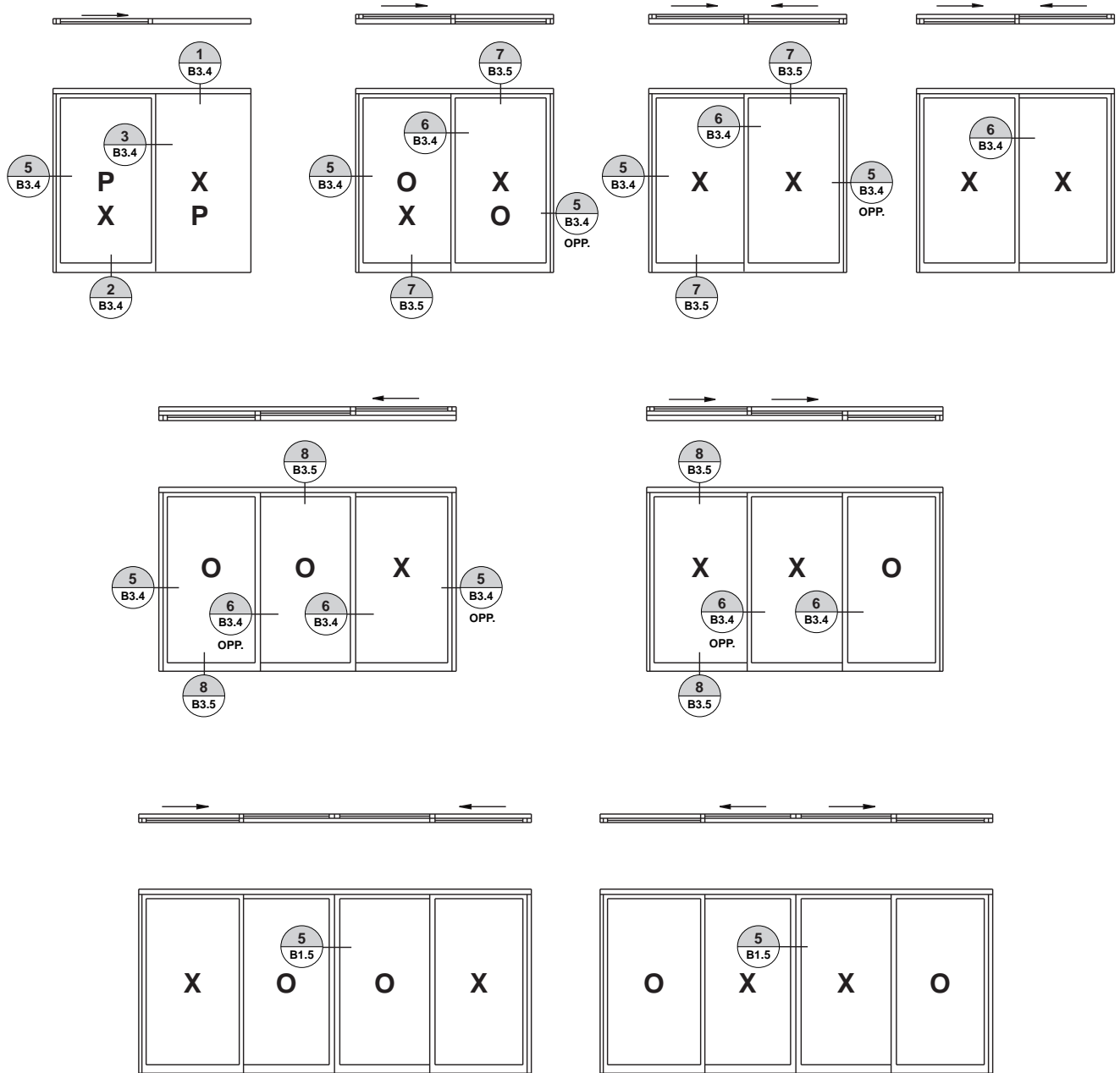
All exposed surfaces shall be free of scratches and other serious blemishes. Finish shall be manufacturers standard _____ (Clear anodized, Bronze anodized or White polyester paint) or custom painted _____. (select one)
(Architect to provide color and specification)

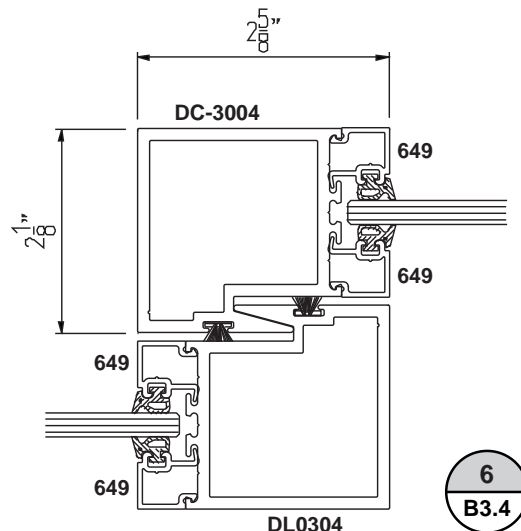
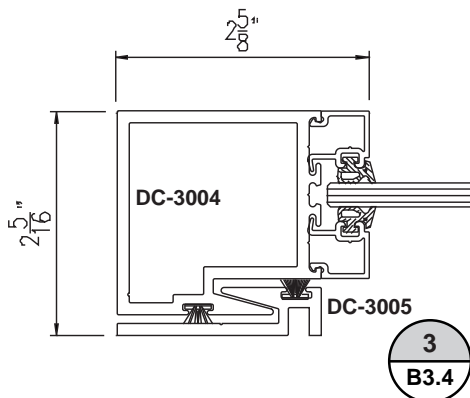
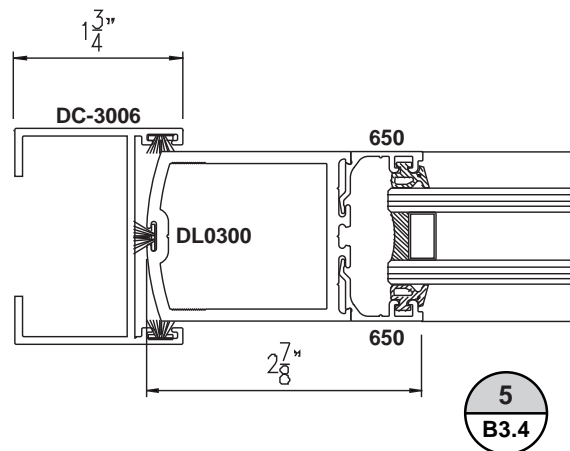
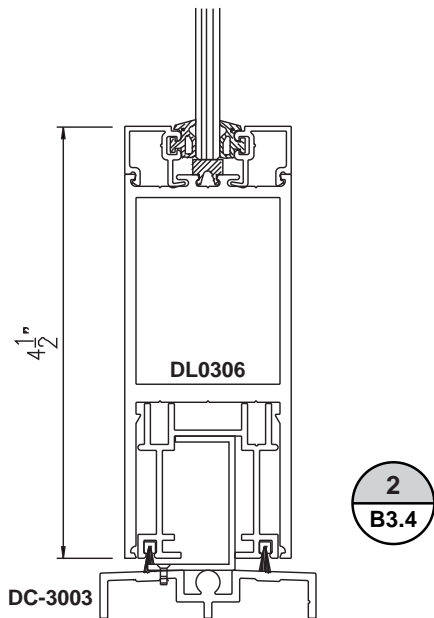
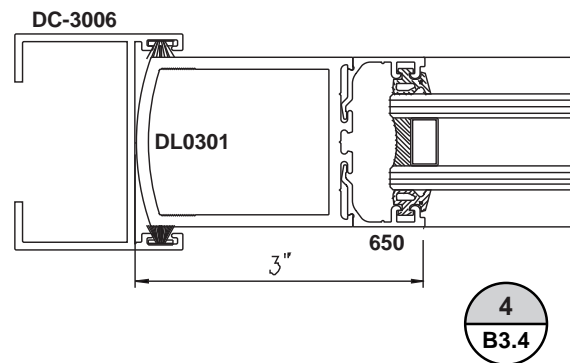
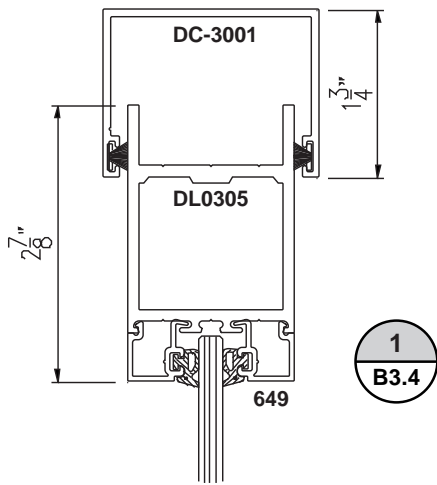
7. Installation.

All doors and frames shall be installed in their correct locations and set level, square and plumb in alignment with other work and substrates, in accordance with the manufacturers installation instructions, approved shop drawings and accepted industry standards. All joints between framing and substrates shall be sealed per sealant manufacturers recommendations to insure a weather tight installation.

8. Protection and cleaning.

After installation the General Contractor shall protect exposed aluminum surfaces from damage. The General Contractor shall be responsible for final cleaning.





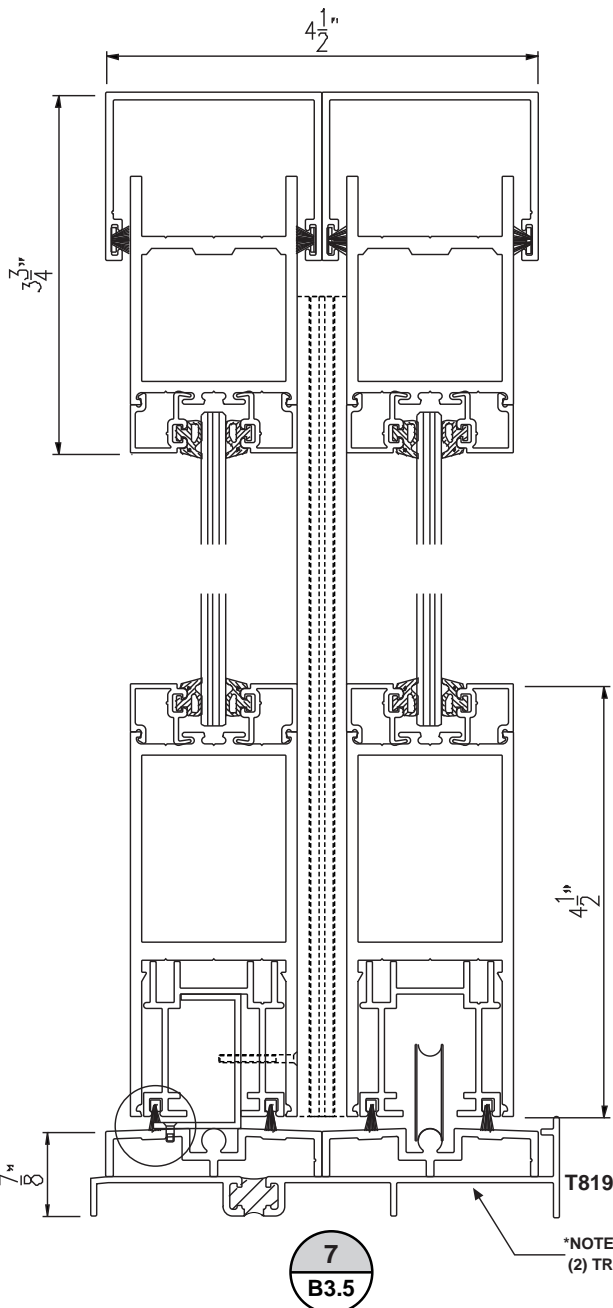
REV. 1.1

TOLL FREE • 800-454-4304 PHONE • 425-483-6226 FAX • 425-486-7878

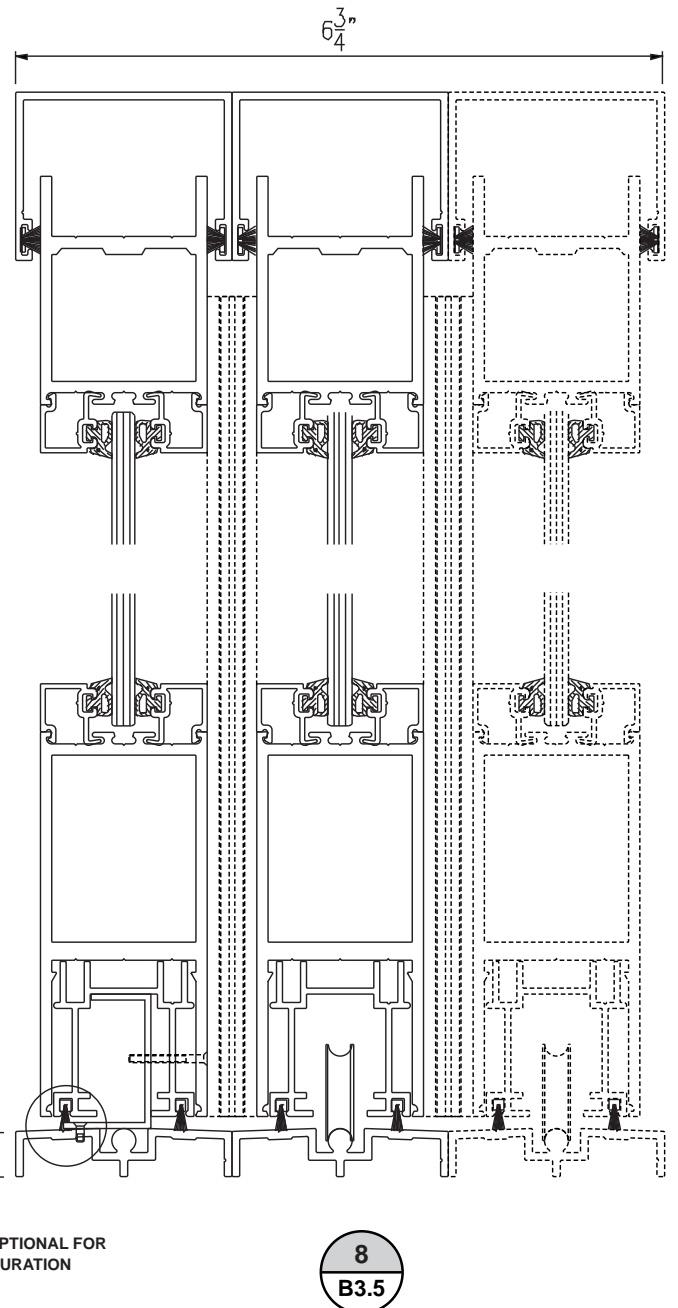
7533 WEST BOSTIAN ROAD WOODINVILLE, WASHINGTON 98072

DETAILS

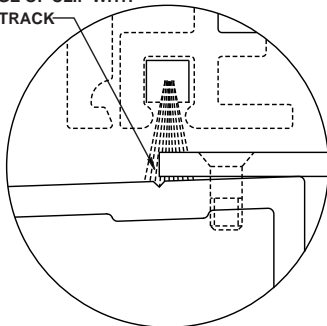
B3.4



*NOTE: SUBSILL OPTIONAL FOR (2) TRACK CONFIGURATION



*NOTE: ALIGN EDGE OF CLIP WITH GROOVE ON SILL TRACK



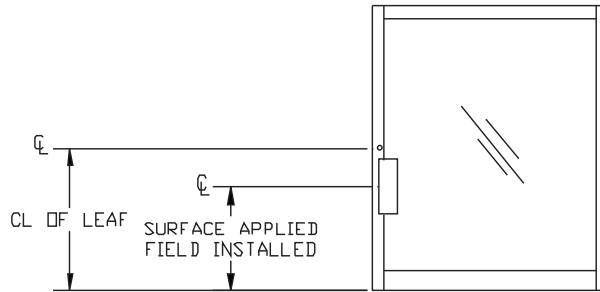
NOTE:

MULTIPLE SLIDE & CUSTOM CONFIGURATIONS AVAILABLE UPON REQUEST. TOP HUNG ALSO AVAILABLE. CALL FOR INFORMATION.



TO DETERMINE & **VERIFY** SLIDER SIZES & SLIDER GLASS SIZES,
USE THE FOLLOWING INFORMATION:

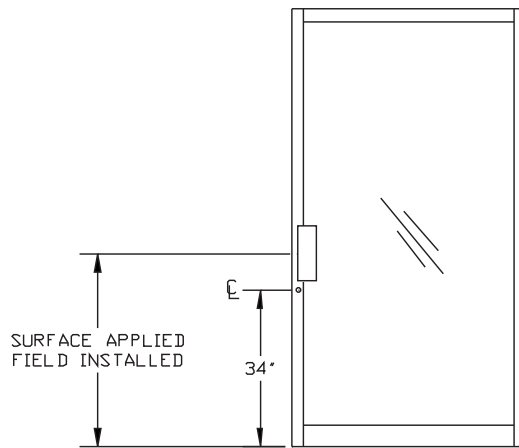
- 1) Determine the rough opening of the frame that the slider will be installed into.
 - a) This will be your net dimension of the slider after installation.
- 2) To determine leaf sizes:
 - a) Height allowance, from your R.O.:
 - 1) Deduct 1/2" for the sill track.
 - 2) Deduct 1 3/4" for the head track.
 - 3) Add 7/8" for tuck into the head track (if subsill or flashing is being used make additional allowances)
 - 4) This will be the net leaf height.
 - b) Width allowance from your R.O. :
 - 1) Deduct 1 1/4" for each wall jamb.
 - 2) Deduct both jamb stiles, including the glass stop (this will vary depending on 1/4" or 1" glass.)
 - 3) Deduct the interlock stile (this will vary depending on 1/4" or 1" glass.)
 - 4) Divide by 2, then add one jamb stile and the interlock stile (both inc. glass stops.)
 - 5) This will be the net leaf width.
- 3) To determine glass sizes:
 - a) Height allowance:
 - 1) Deduct 6 3/8" for the top and bottom rails (narrow stile only.)
 - 2) Deduct 1/2" for 1" glazing, or 3/8" for 1/4" glazing.
 - 3) This is the actual net height dimension for the glass.
 - b) Width allowance:
 - 1) Follow steps one to three in section 2b above.
 - 2) Add the door stops, two of them (this will vary depending on 1/4" or 1" glass.)
 - 3) Deduct 1/2" for 1" glazing, or 3/8" for 1/4" glazing.
 - 4) This is the actual net width dimension for the glass.



TYPICAL PULL & CYLINDER LOCATIONS.

For all 3000 series pass-thru sliders.

*PAC recommends that handles be mounted on lower portion of leaf.



TYPICAL PULL & CYLINDER LOCATIONS.
For all 3000 series mall sliders.

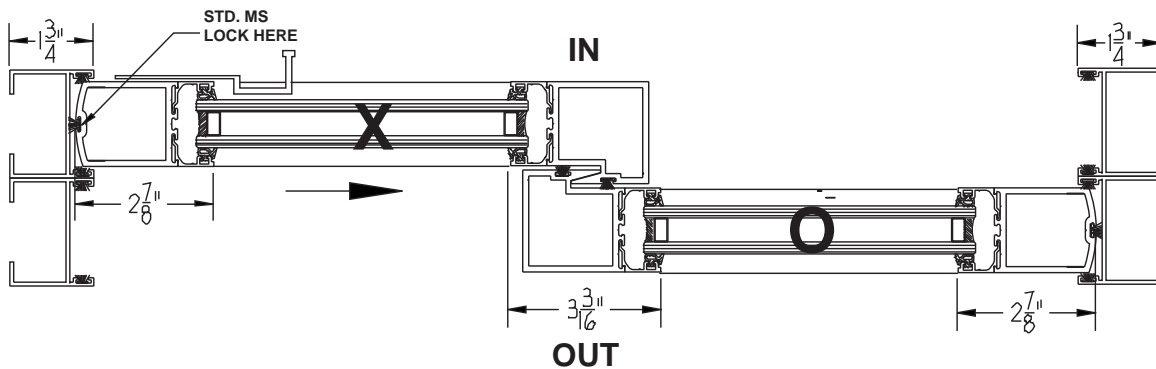


(THESE INSTRUCTIONS APPLY TO ALL SIZES AND CONFIGURATIONS OF THE 3000 SERIES)

- If subsill or a flashing is being installed under the sill track (highly recommended,) it must be done prior to installation of "PAC" components.
- Head track and sill track must be installed first. They have both been precut at "PAC" to fit the rough opening dimensions given on your confirmation.
- Next, install wall jambs, making sure to align the jamb with the lock "route" in it's proper location adjacent to the "X" leaf. It is crucial that the wall jamb(s) be installed in between the head and sill track, or the lock route will not properly align, with the jamb.
- Once all tracks and jambs are installed, determine the placement of the anchoring channel provided for the "O" leaf. Screw the channel directly to the sill track, making sure to align the 7/8" leg to the indent in the sill track. The anchoring channel should be all the way against the wall jamb. The back of the anchoring channel **MUST** be to the inside for fastening. Slide the top of the "O" leaf into the head track, and then slide the leaf onto the anchoring channel through the route out in the back of the stile. Make sure the "O" leaf is pushed tight up against its jamb. Do not fasten the "O" leaf at this point.
- Position the "X" leaf in place, and then verify that with the "O" leaf pushed tight against its jamb, that the "X" leaf closes tightly against its jamb. Proceed with fastening the "O" leaf in place by drilling and countersinking two holes through the side of the bottom rail. Fasten through these holes into the anchoring channel.
- Adjust roller heights through access holes in stiles, and verify that all hardware functions properly.
- Commercial grade caulking / silicone should be used in final sealing procedures.
- All installation fasteners are the responsibility of the customer.



ATTN:	JOB NAME:	PHONE:
COMPANY:	P.O.#	FAX:
FINISH: Clear Bronze Std.White Other	LEAF TYPE: Narrow Medium Wide	HARDWARE: Std Panic Pull 1" offset wire push / pull
DOOR LEAF OR VENT: Prep OR Glaze (clear or other)	SWING: IN OUT DA (As entering the doorway / room from outside)	HINGE: RIGHT LEFT PAIR (As viewed from outside the room / building)
1/4" Temp 3/4" Ann. 1" Temp	LOCK: STD M.S. LATCHLOCK PANIC 3PNT @34"CYC CL @36"CYC CL MODEL:	
PIVOT: OFFSET CENTER CONT.GEARED INTERMED BUTTS	VENT SCREENS: Y / N PREP FOR: Y / N	FRAMING: 1/4" 1" 1" T/B GLASS: Y / N
CLOSER: SURFACE OHCC ADA	SPECIAL HARDWARE _____ OR INSTRUCTIONS: _____	
GLAZEGUARD: 1/4" OR 1" _____		COMP CHANNEL: YES / NO _____
METALLIC SILVER BRONZE WHITE		SUBSILL: YES / NO _____
WORK ORDER#	WRITTEN BY:	
BUILT BY: DOOR FRAME VENT	SHOP CODE(S):	EXPECTED COMPLETION / SHIP DATE:
HOURS: D- F- V-	VINYL@ Ft	VIA: V/D W/C UPS C/C

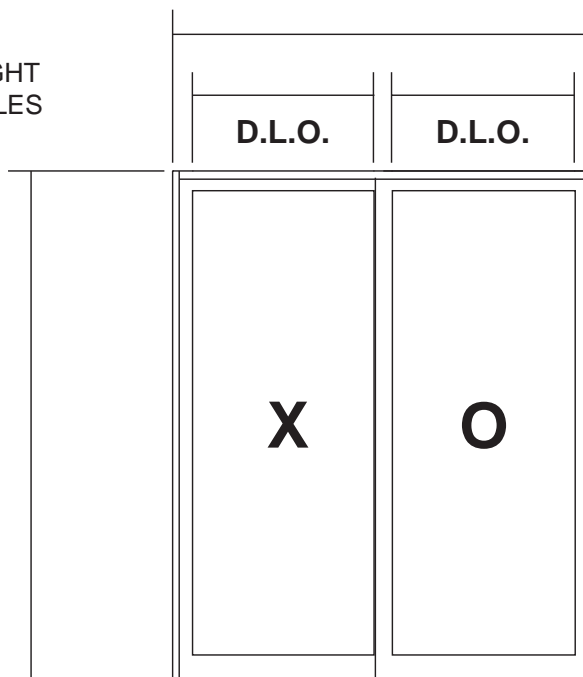


SPECIFY:
ROUGH OPENING
LOCK SET-UP & HEIGHT
QUANTITY OF HANDLES

LEAF HEIGHT @

CL OF CYL @

FROM BOTTOM
OF LEAF
NO CYL OR
PREP AT EXT.
T-TURN INSIDE



2 PCS 1 3/4" HEAD TRACK @

4 PCS WALL JAMB @

RAIL @

2 PCS SILL TRACK @

1 PC SUB-SILL @

1 PC "U" CHANNEL



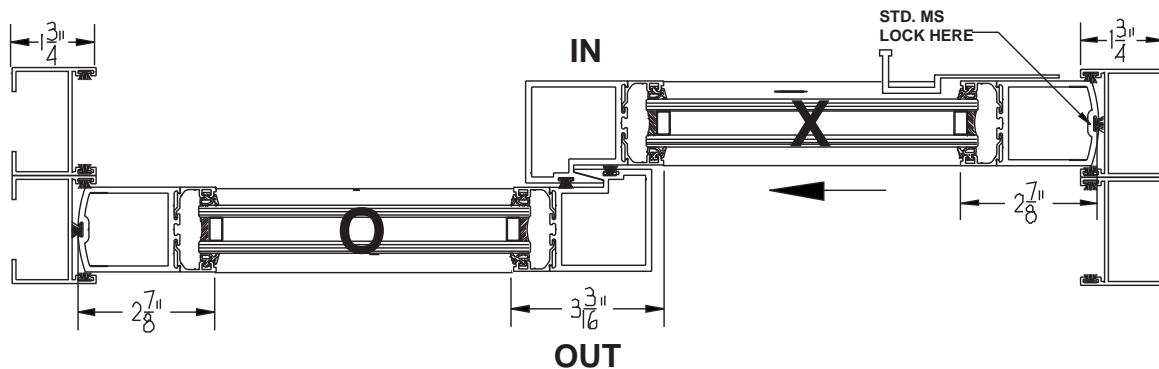
**PACIFIC
ALUMINUM
COMPANY**

**QUOTE REQUEST
TEMPLATE**

QUOTE #

DATE

ATTN:	JOB NAME:	PHONE:
COMPANY:	P.O.#	FAX:
FINISH: Clear Bronze Std.White Other	LEAF TYPE: Narrow Medium Wide	HARDWARE: Std Panic Pull 1" offset wire push / pull
DOOR LEAF OR VENT: Prep OR Glaze (clear or other)	SWING: IN OUT DA (As entering the doorway / room from outside)	HINGE: RIGHT LEFT PAIR (As viewed from outside the room / building)
1/4" Temp 3/4" Ann. 1" Temp	LOCK: STD M.S. LATCHLOCK PANIC 3PNT @34"CYC CL @36"CYC CL MODEL:	
PIVOT: OFFSET CENTER CONT.GEARED INTERMED BUTTS	VENT SCREENS: Y / N PREP FOR: Y / N	FRAMING: 1/4" 1" 1" T/B GLASS: Y / N
CLOSER: SURFACE OHCC ADA		
SPECIAL HARDWARE _____ OR INSTRUCTIONS: _____	COMP CHANNEL: YES / NO _____	
GLAZEGUARD: 1/4" OR 1" _____	SUBSILL: YES / NO _____	
METALLIC SILVER BRONZE WHITE		
WORK ORDER# WRITTEN BY:		
BUILT BY: DOOR FRAME VENT	SHOP CODE(S):	EXPECTED COMPLETION / SHIP DATE:
HOURS: D- F- V-	VINYL@ Ft	VIA: V/D W/C UPS C/C

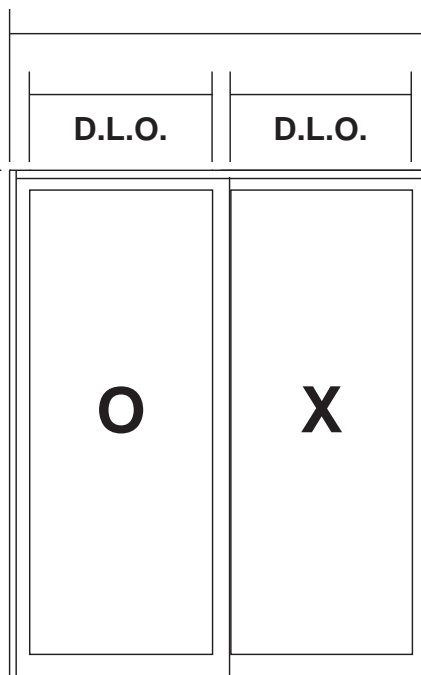


SPECIFY:
ROUGH OPENING
LOCK SET-UP & HEIGHT
QUANTITY OF HANDLES

LEAF HEIGHT @

CL OF CYL @

FROM BOTTOM
OF LEAF
NO CYL OR
PREP AT EXT.
T-TURN INSIDE



2 PCS 1 _" HEAD TRACK @

4 PCS WALL JAMB @

RAIL @

1 PC "U" CHANNEL @

2 PCS SILL TRACK @

1 PC SUB-SILL @

REV. 1.0

TOLL FREE • 800-454-4304 PHONE • 425-483-6226 FAX • 425-486-7878

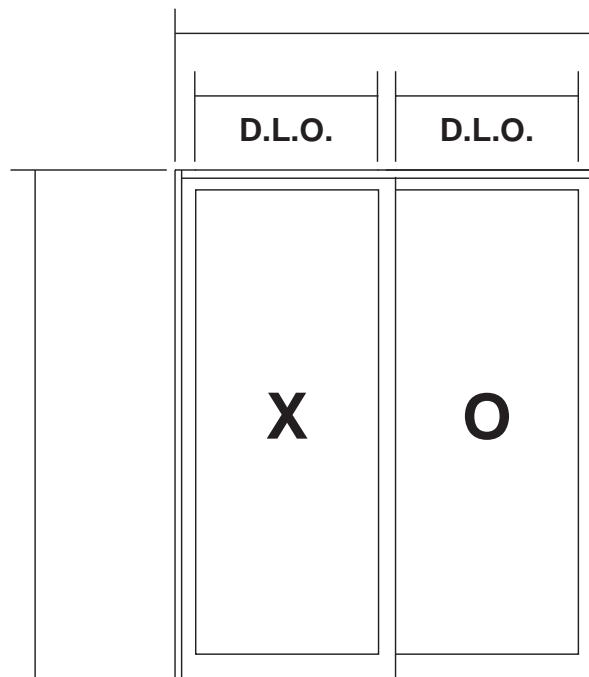
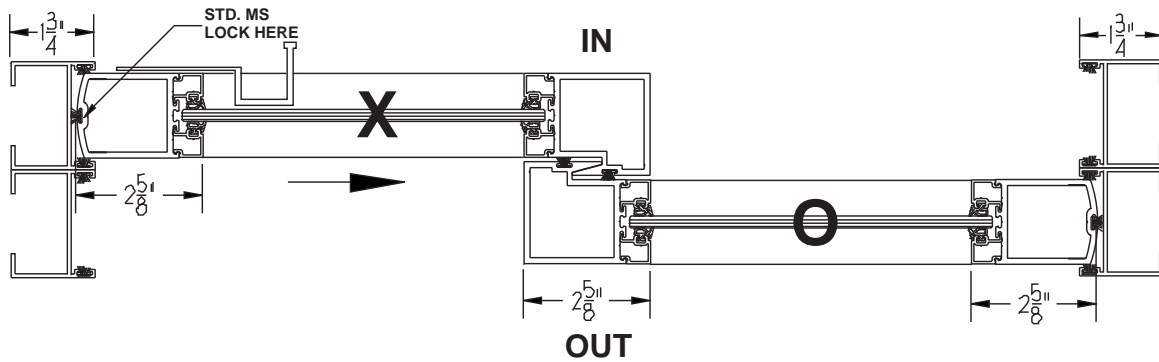
7533 WEST BOSTIAN ROAD WOODINVILLE, WASHINGTON 98072

TEMPLATE

B3.10



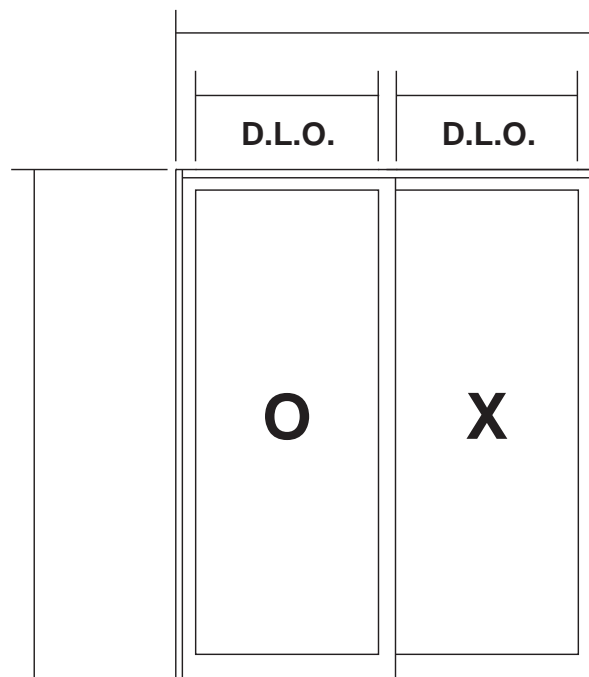
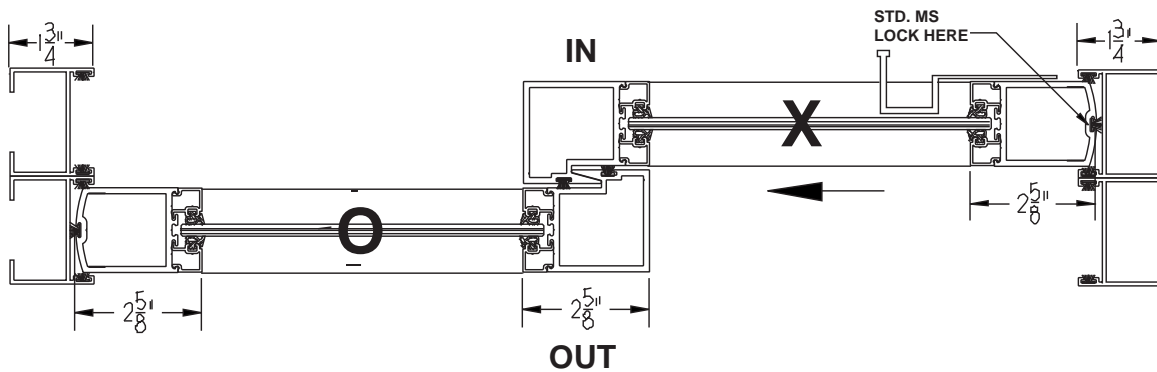
ATTN:		JOB NAME:		PHONE:	
COMPANY:		P.O.#		FAX:	
FINISH: Clear Bronze Std.White Other		LEAF TYPE: Narrow Medium Wide		HARDWARE: Std Panic Pull 1" offset wire push / pull	
DOOR LEAF OR VENT: Prep OR Glaze (clear or other)		SWING: IN OUT DA		HINGE: RIGHT LEFT PAIR	
1/4" Temp 3/4" Ann. 1" Temp		(As entering the doorway / room from outside)		(As viewed from outside the room / building)	
PIVOT: OFFSET CENTER CONT.GEARED INTERMED BUTTS		LOCK: STD M.S. LATCHLOCK PANIC 3PNT @34"CYC CL @36"CYC CL		MODEL:	
CLOSER: SURFACE OHCC ADA		VENT SCREENS: Y / N PREP FOR: Y / N		FRAMING: 1/4" 1" 1"/T/B GLASS: Y / N	
SPECIAL HARDWARE _____			COMP CHANNEL: YES / NO _____		
OR INSTRUCTIONS: _____					
GLAZEGUARD: 1/4" OR 1" _____			SUBSILL: YES / NO _____		
METALLIC SILVER BRONZE WHITE					
WORK ORDER# WRITTEN BY:					
BUILT BY: DOOR FRAME VENT		SHOP CODE(S):		EXPECTED COMPLETION / SHIP DATE:	
HOURS: D- F- V-		VINYL@ Ft		VIA: V/D W/C UPS C/C	



REV. 1.0



ATTN:		JOB NAME:		PHONE:	
COMPANY:		P.O.#		FAX:	
FINISH: Clear Bronze Std.White Other		LEAF TYPE: Narrow Medium Wide		HARDWARE: Std Panic Pull 1" offset wire push / pull	
DOOR LEAF OR VENT: Prep OR Glaze (clear or other)		SWING: IN OUT DA		HINGE: RIGHT LEFT PAIR	
1/4" Temp 3/4" Ann. 1" Temp		(As entering the doorway / room from outside)		(As viewed from outside the room / building)	
PIVOT: OFFSET CENTER CONT.GEARED INTERMED BUTTS		LOCK: STD M.S. LATCHLOCK PANIC 3PNT @34"CYC CL @36"CYC CL		MODEL:	
CLOSER: SURFACE OHCC ADA		VENT SCREENS: Y / N PREP FOR: Y / N		FRAMING: 1/4" 1" 1" T/B GLASS: Y / N	
SPECIAL HARDWARE _____			COMP CHANNEL: YES / NO _____		
OR INSTRUCTIONS: _____					
GLAZEGUARD: 1/4" OR 1" _____			SUBSILL: YES / NO _____		
METALLIC SILVER BRONZE WHITE					
WORK ORDER#		WRITTEN BY:			
BUILT BY: DOOR FRAME VENT		SHOP CODE(S):		EXPECTED COMPLETION / SHIP DATE:	
HOURS: D- F- V-		VINYL@ Ft		VIA: V/D W/C UPS C/C	



REV. 1.0