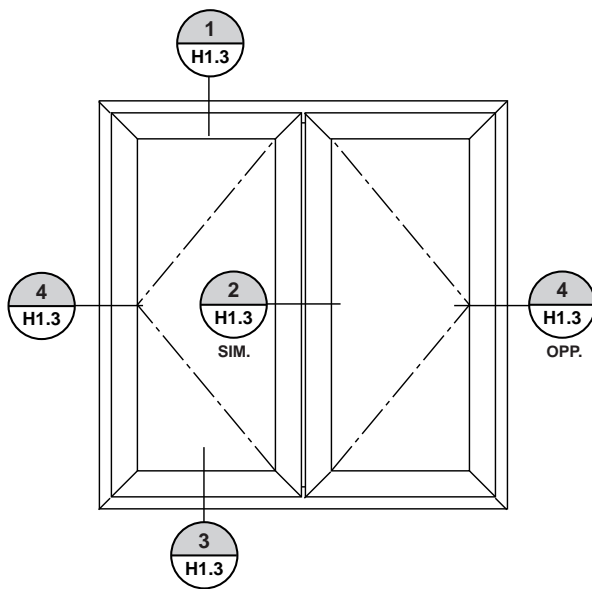
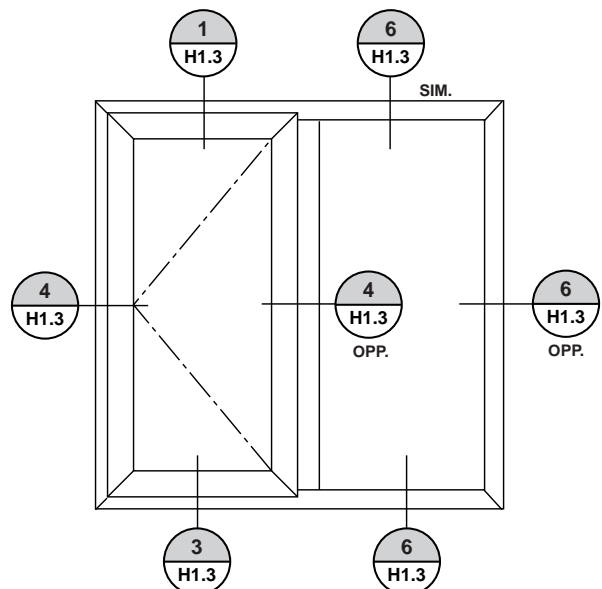


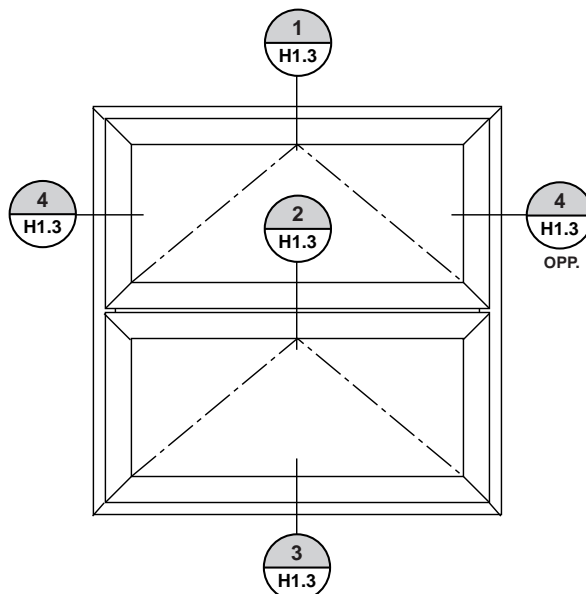
SERIES 500 PROJECT OUT VENT



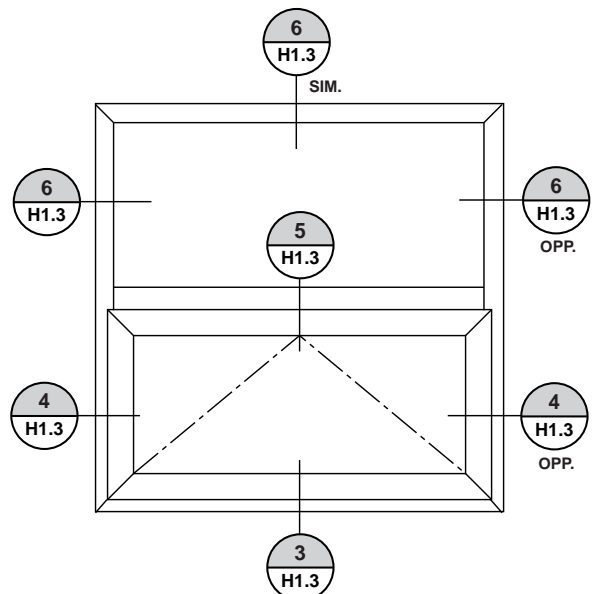
SERIES 500 DUAL PROJECT OUT VENTS



SERIES 500 DUAL PROJECT OUT VENTS W/ FIXED LITE

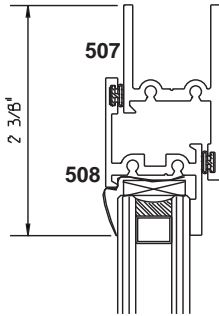


SERIES 500 DUAL PROJECT OUT VENTS

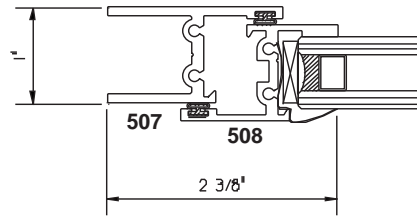


SERIES 500 DUAL PROJECT OUT VENTS W/ FIXED LITE ABOVE

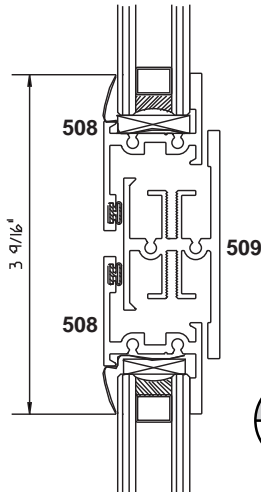
REV. 1.1



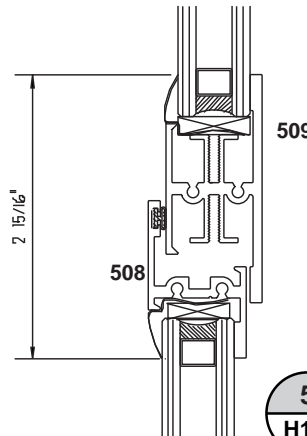
1
H1.3



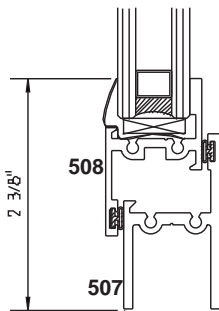
4
H1.3



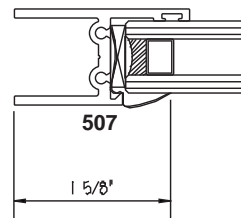
2
H1.3



5
H1.3



3
H1.3



6
H1.3

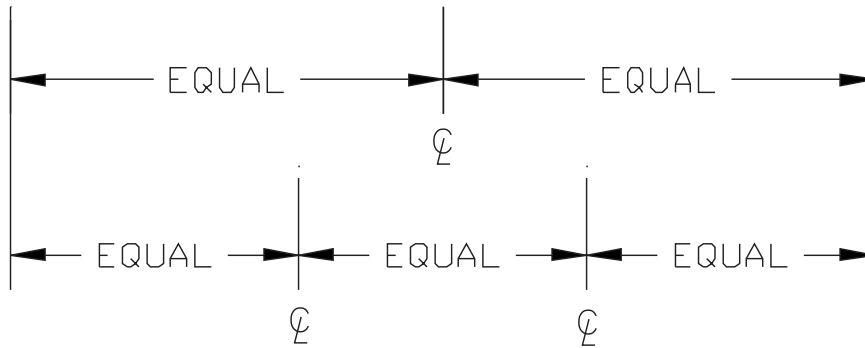
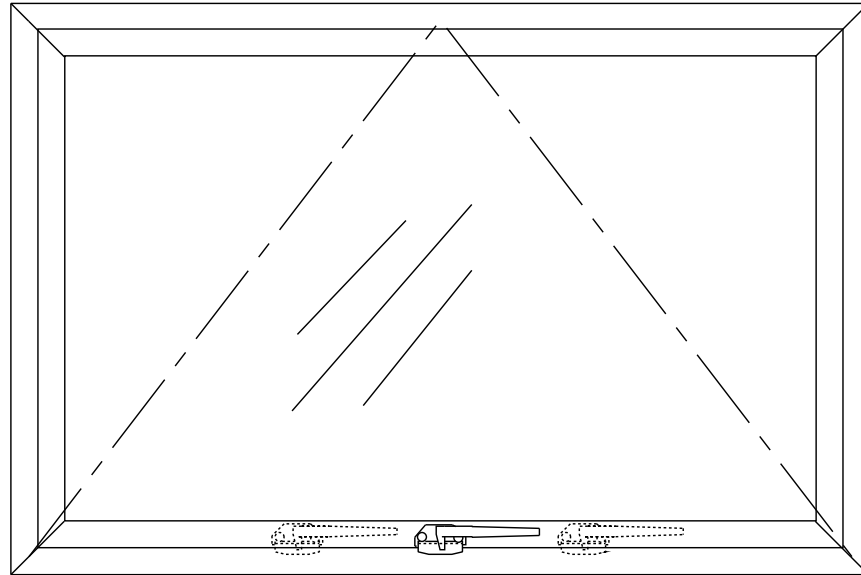
REV. 1.1

TOLL FREE • 800-454-4304 PHONE • 425-483-6226 FAX • 425-486-7878

7533 WEST BOSTIAN ROAD WOODINVILLE, WASHINGTON 98072

DETAILS

H1.3



*Hardware on all Vents and Casements under 3'-6" to be centered on frame.

*Hardware on all Vents and Casements exceeding 3'-6" to be spaced evenly by dividing the frame width/height into thirds (Maximum of 16" from either end).