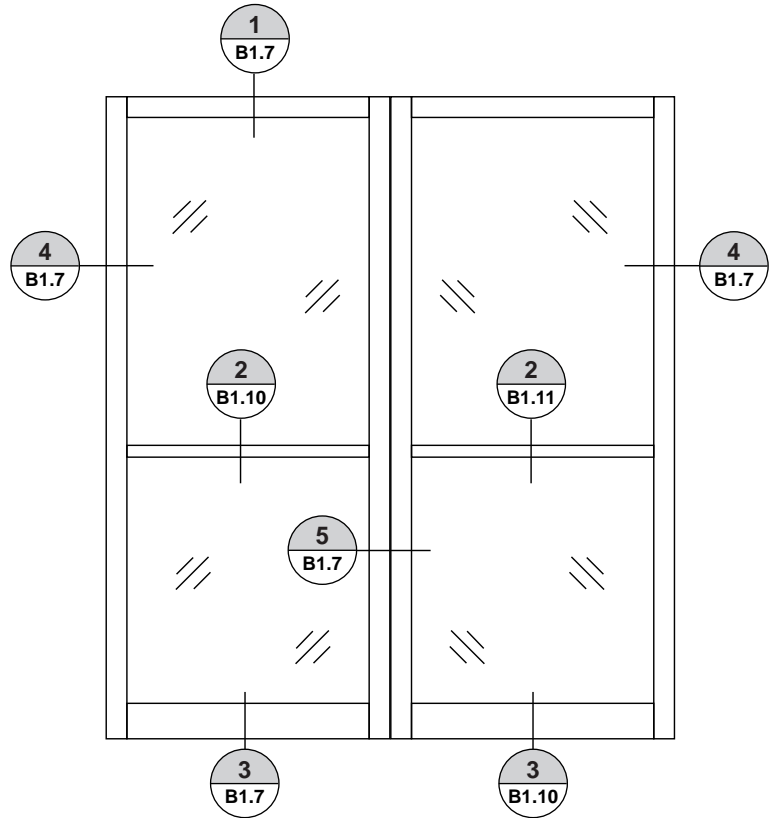
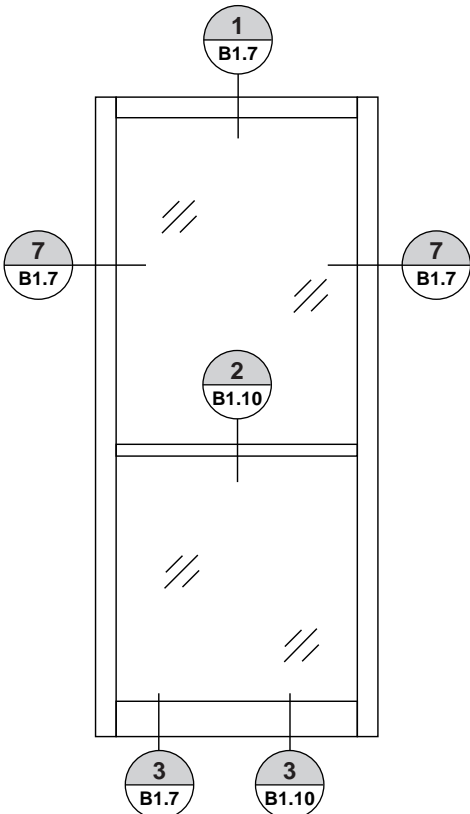


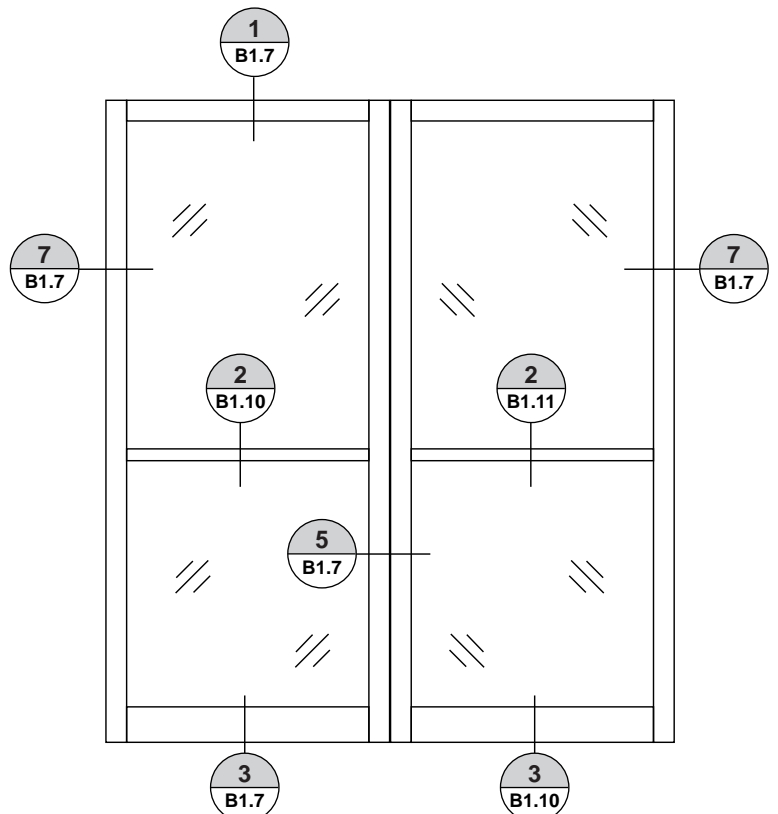
SINGLE ACTING SINGLE DOOR ↑



SINGLE ACTING PAIR ↑

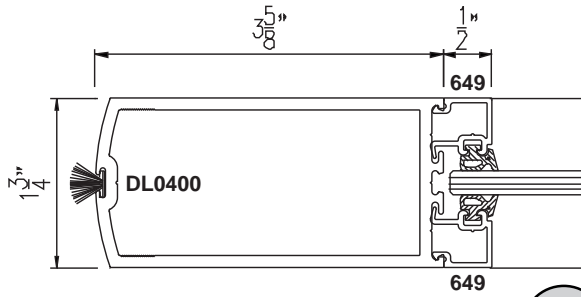


DOUBLE ACTING SINGLE DOOR ↑

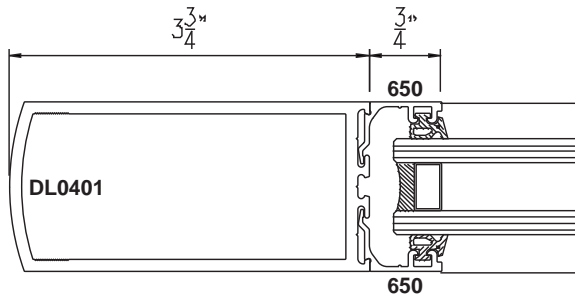


DOUBLE ACTING PAIR ↑

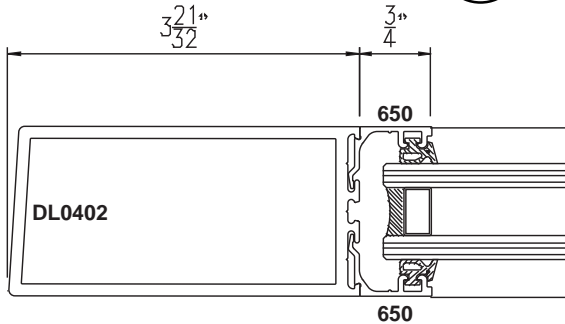
REV. 1.0



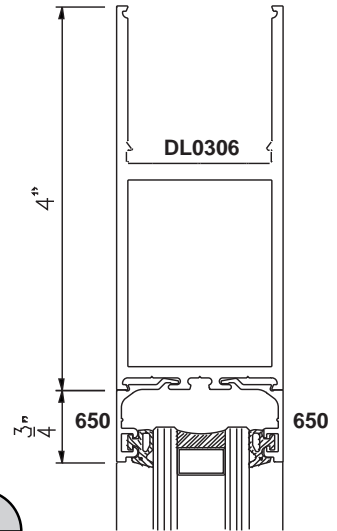
7  
B1.7



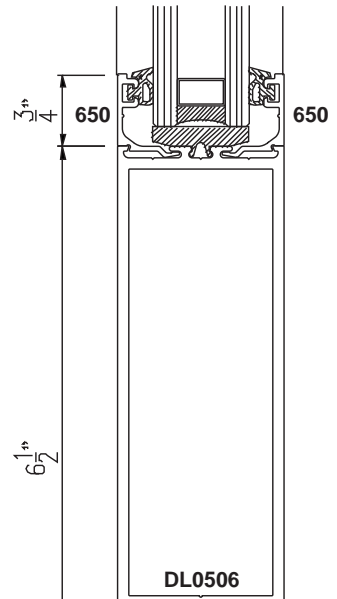
6  
B1.7



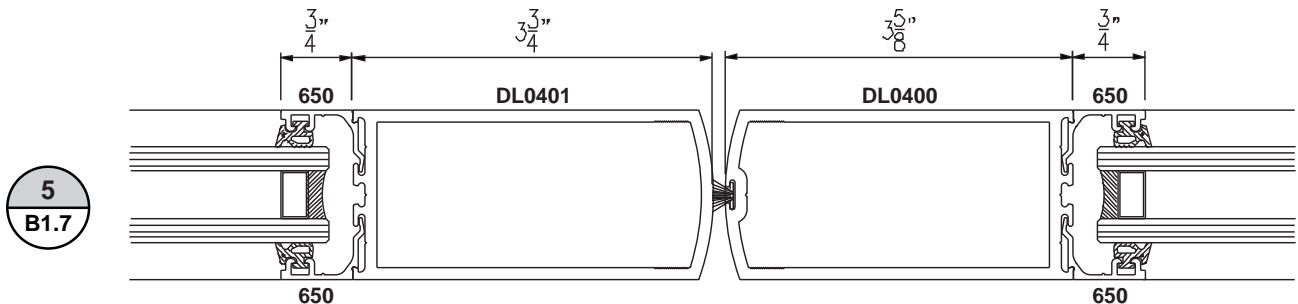
4  
B1.7



1  
B1.7



3  
B1.7



5  
B1.7

REV. 1.0

FURTHER DETAILS AVAILABLE UPON REQUEST

TOLL FREE • 800-454-4304 PHONE • 425-483-6226 FAX • 425-486-7878

7533 WEST BOSTIAN ROAD WOODINVILLE, WASHINGTON 98072

DETAILS

B1.7